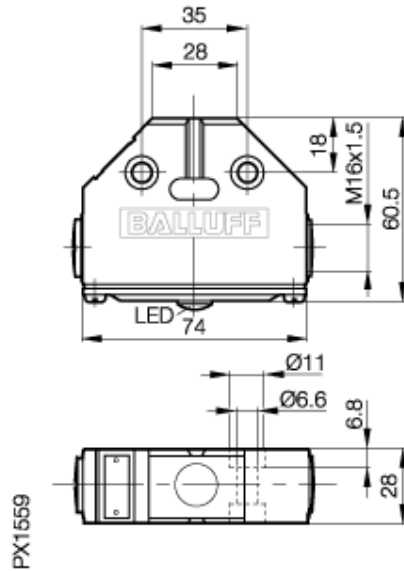


BES 516-161-H3-L
BES017M

PNP
NO/NC
flush mountable

BALLUFF
sensors worldwide



Electrical data:

Electrical type	DC
Utilization category	DC 13
Hysteresis max (H)	15 %
No-load supply current damped	= 30 mA
Off-state current max (I _r)	130 µA
Ripple max. of U _e	= 15 %
Switching output	PNP
Switching element function	NO/NC
Operating frequency (f)	300 Hz
Voltage drop max. static	1,5 V
Supply voltage max. (U _b)	30 V
Supply voltage min. (U _b)	10 V
Connection	Screw terminals
Rated operational voltage (U _e)	24 DC V
Load current capacity (I _e)	400 mA
Time delay before availability	10 ms

Mechanical data:

Number of Wires	4-wire
Rated operating distance (sn)	7 mm
Assured operating distance	0...5,6 mm
Mounting	flush mountable
Ambient temperature max	+70 °C
Ambient temperature min	-25 °C
Degree of pollution	3
Sensing face material	PA 12
Housing material	Gd Al Si 12
Repeat accuracy max. (R)	5 %

General data:

Short circuit protected	no
Brand	H1
Degree of protection IP	IP67
Protected against polarity reversal	yes
Approval	CE
Additional text 1	Miniature fuse according IEC60127-2 Sheet 1, ≤ 2 A (quick/acting). Fuse must be in load line. Fuse must not be in outp. line
Output indication	yes

Wiring:

